

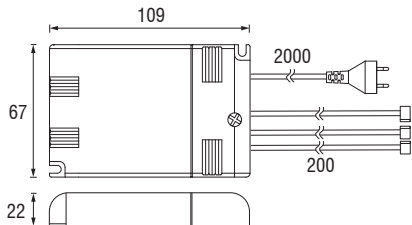
# IR SYSTEM

IN 110÷230V

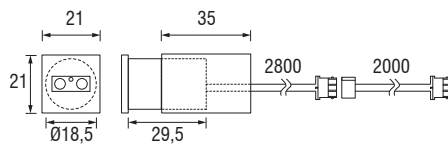
**IT Sistema di trasmissione IR** - Sistema composto da: centralina dotata di cavo, spina e cablaggi; ricevitore realizzato in policarbonato verniciato, cavo e connettore; trasmettitore in alluminio ossidato con schermo in policarbonato opalino.

**EN IR Repeater System** - The system includes: a control unit with cable, plug and wiring; receiver in painted polycarbonate, cable and connector; aluminium transmitter with polycarbonate screen.

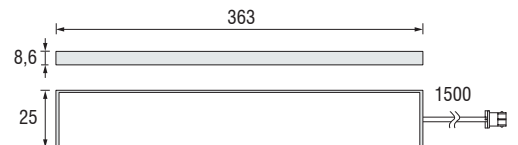
**DE IR-System** - Das System besteht aus: Relaisstation mit Kabel, Stecker und Verdrahtung; IR Signalempfänger aus lackiertem Polykarbonat mit Kabel und Steckverbinder; IR Signalsender aus Aluminium mit Polykarbonat-Abdeckung.



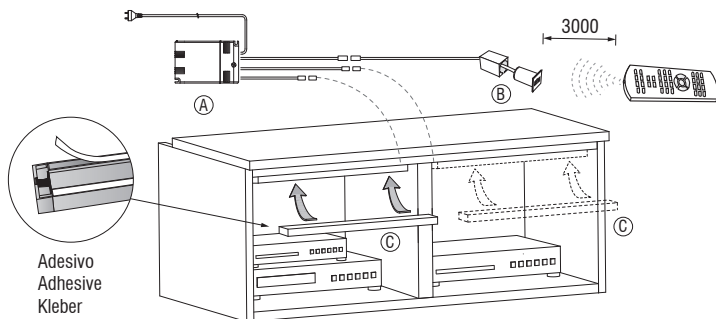
**A** Centralina  
Control Unit / Relaisstation



**B** Ricevitore  
Receiver / IR Signalempfänger



**C** Trasmittitore IR  
IR Transmitter / IR Signalsender



**A** Centralina  
Control unit - Relaisstation



**B** Ricevitore  
Receiver - Signalempfänger



**C** Trasmittitore  
Transmitter - Signalsender

<b>A</b> Centralina - Control unit - Relaisstation			Imballo - Packaging - Verpackung		
IN	Hz	Codice - Part no. - Artikel-Nr.	Pcs	Kg	mm
230V AC	50Hz	185001	1	0,240	85 x 95 x 180
110V AC	50Hz	185004	1	0,240	85 x 95 x 180
<b>B</b> Ricevitore - Receiver - Signalempfänger			Imballo - Packaging - Verpackung		
Frequenza - Frequency - Frequenz	Codice - Part no. - Artikel-Nr.	Pcs	Kg	mm	
8Khz +/- 10%	185005	1	0,160	60 x 50 x 160	
<b>C</b> Trasmittitore - Transmitter - Signalsender			Imballo - Packaging - Verpackung		
Frequenza - Frequency - Frequenz	Codice - Part no. - Artikel-Nr.	Pcs	Kg	mm	
38Khz	185003	1	0,180	30 x 35 x 600	

Dimensioni in millimetri (mm)

Dimensions in Millimeters (mm) / Dimensionen in Millimetern (mm)

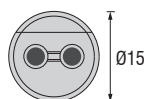
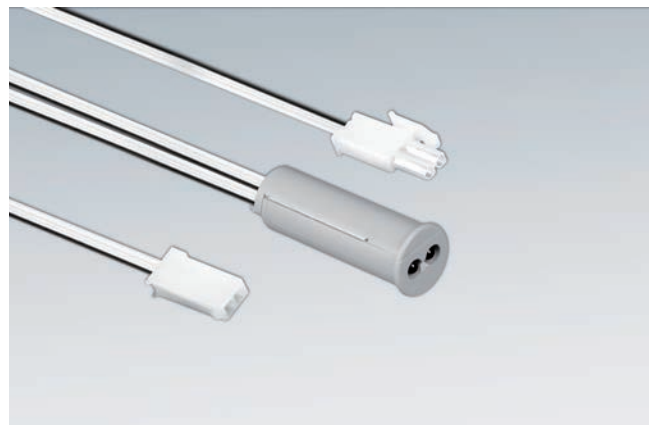
**ACCESSORI**

ACCESSORI-IR 110V-230V\_00

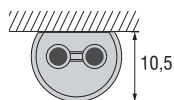
# IR SWITCH 24V

## LED 24V

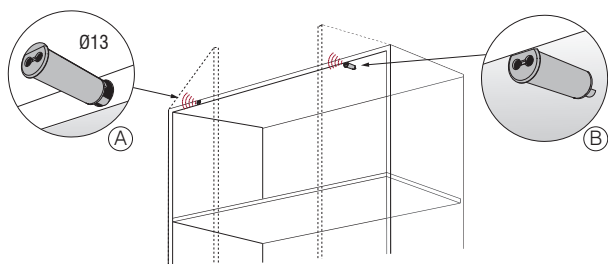
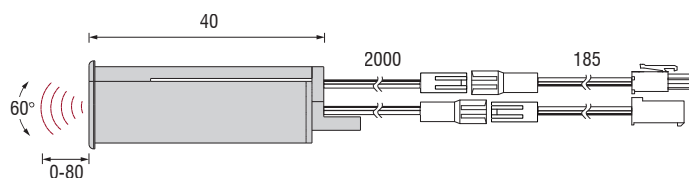
- ☐ **Sistema di accensione a battente d'anta** - Installazione esterna e ad incasso (rimozione della parte superiore)
- ☐ **Door contact switch system** - Surface mounting installation; recessed installation (upper part removal)
- ☐ **Tuerschaltersystem** - An-und Einbau (Abloesung des Oberteils)



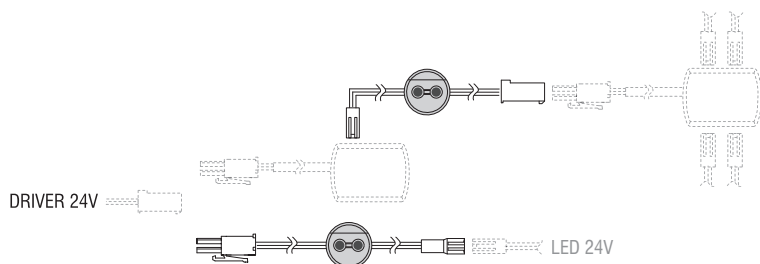
(A) Installazione ad incasso  
Flush mounting  
Einbaumontage



(B) Installazione esterna (adesivo)  
Surface mounting (adhesive)  
Anbaumontage (selbstklebend)



Esempio di installazione ad incasso  
Flush mounting example  
Einbaubeispiel



V IN	Carico applicabile Max Wattage - Wattleistung	Colore Color - Artikel-Nr.	Codice Part no. - Artikel-Nr.	Imballo - Packaging - Verpackung		
				Pcs	Kg	mm
24V	50W max	Grigio / Grey / Grau	6IN066	1	0,100	50 x 60 x 155
		Nero / Black / Schwarz	6IN066N	1	0,100	50 x 60 x 155

Dimensioni in millimetri (mm)  
Dimensions in Millimeters (mm) / Dimensionen in Millimetern (mm)

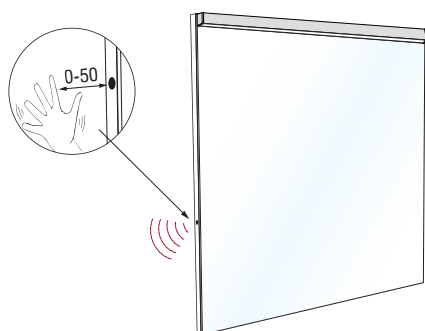
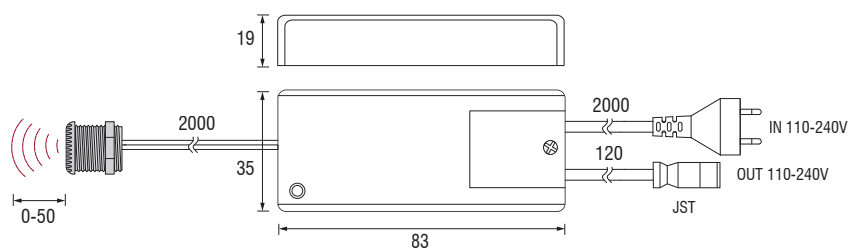
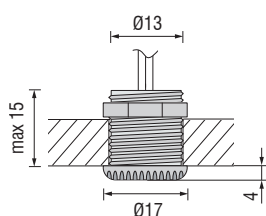
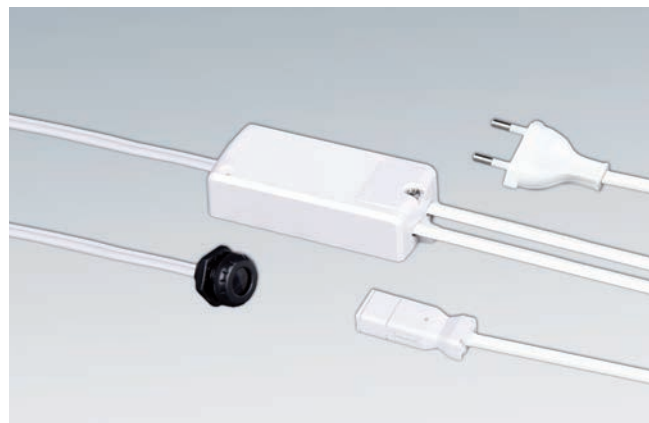
Compatibile con prodotti LED 24V  
Compatible with 24V LED products - Kompatibel mit 24V LED Produkten



# IR SWITCH

IN 110÷240V

- ☐ **Sistema di accensione a sfioro** - Centralina elettronica, sensore, cavo di rete con spina, connettore JST.
- ☐ **Proximity switch system** - Electronic control unit, sensor, cable with plug, JST type connector.
- ☐ **Naeherungsschalter** - Relaisstation, Sensor, Netzkabel mit Stecker, JST-Typ-Steckverbinder



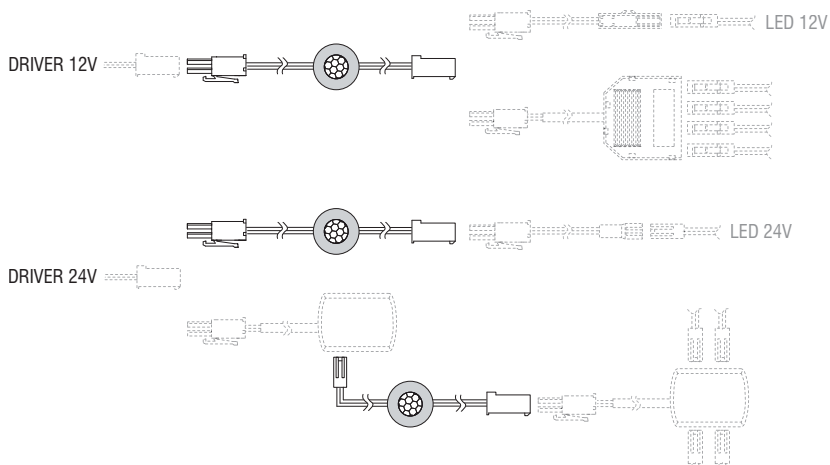
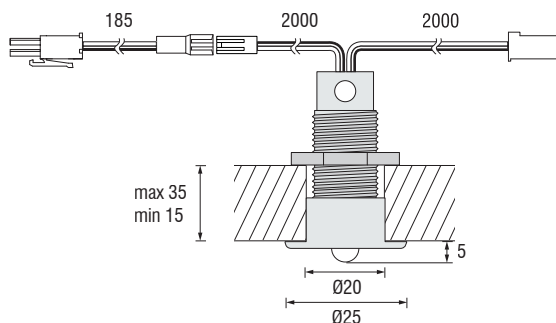
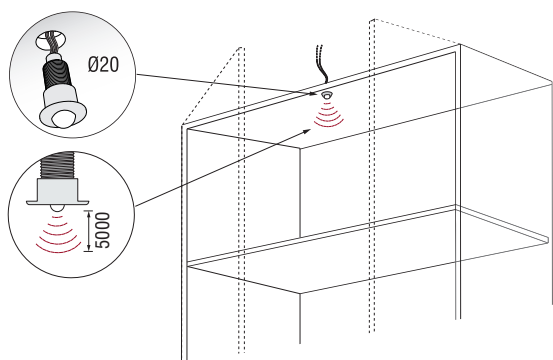
V IN	Carico applicabile Max Wattage - Wattleistung	Codice Part no. - Artikel-Nr.	Imballo - Packaging - Verpackung		
			Pcs	Kg	mm
110÷240V	250W max	6IN072	1	0,072	77 x 90 x 163

Dimensioni in millimetri (mm)  
Dimensions in Millimeters (mm) / Dimensionen in Millimetern (mm)

# KIT SENSOR

## LED 12-24V

- IT **Sensore a lettura di movimento** - Corpo in policarbonato; ghiera in policarbonato verniciato; lente e cavi di collegamento con connettori rapidi.
- EN **Movement reading sensor** - Polycarbonate structure; painted polycarbonate ring; lens and cable with fast-on connectors.
- DE **Bewegungsmelder** - Struktur aus Polykarbonat; lackiertes Gehaeuse aus Polycarbonat; Linse un Kabel mit Fast-on-Verbindungssteckern.



V IN	Codice Part no. - Artikel-Nr.	Imballo - Packaging - Verpackung		
		Pcs	Kg	mm
12V-24V	1T608K	1	0,145	55 x 55 x 150

Dimensioni in millimetri (mm)  
Dimensions in Millimeters (mm) / Dimensionen in Millimetern (mm)

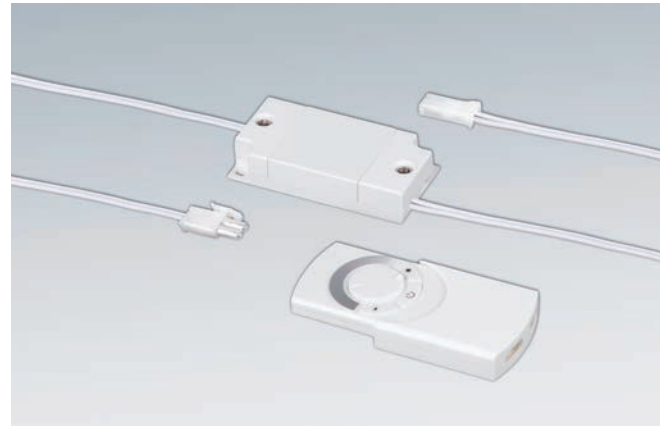
Compatibile con prodotti LED 12V-24V  
Compatible with 12V-24V LED products / Kompatibel mit 12V-24V LED Produkten



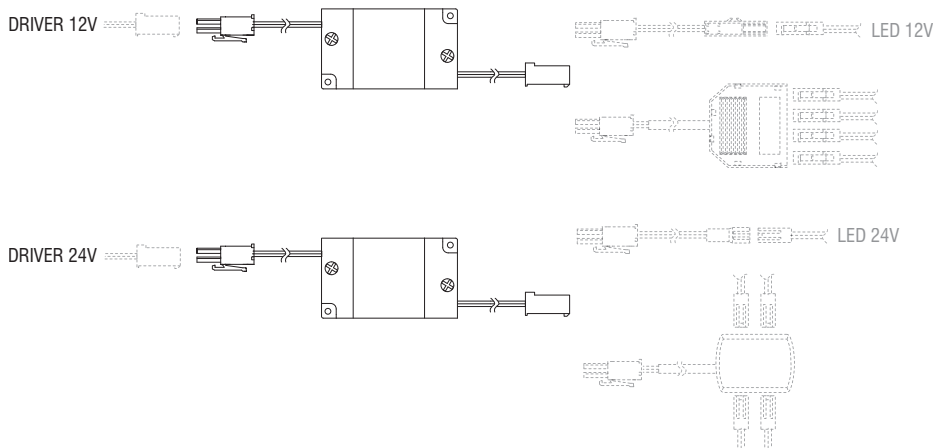
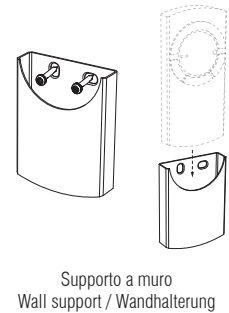
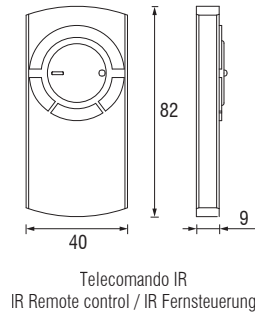
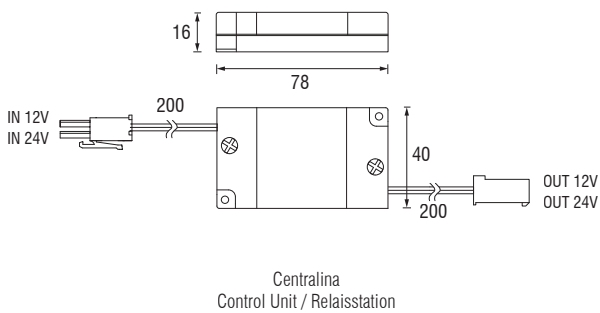
# RADIOCOMANDO DIMMER

LED 12-24V

- ☐ **Sistema di controllo ON/OFF e dimmerabile** - Sistema costituito da centralina elettronica con cavi per collegamento rapido e radiocomando con supporto a muro.
- ☐ **ON/OFF dimmable switching system** - The system includes a control unit with cables for fast-on connection, a remote control unit with wall bracket.
- ☐ **Dimmbares Schaltsystem** - Das System besteht aus Relaisstation mit Kabel und Fast-On-Steckverbinder und Fernsteuerung mit Wandhalterung.



CE SELV



V IN	Carico applicabile Max Wattage - Wattleistung	Frequenza Frequency - Frequenz	Portata Range - Reichweite	Codice Part no. - Artikel-Nr.	Imballo - Packaging - Verpackung		
					Pcs	Kg	mm
12V	36W max	2,4 GHz	15 m	185057	1	0,120	45 x 50 x 95
24V	72W max						

Dimensioni in millimetri (mm) /  
Dimensions in Millimeters (mm) / Dimensionen in Millimetern (mm)

Compatibile con prodotti LED 12V-24V  
Compatible with 12V-24V LED products / Kompatibel mit 12V-24V LED Produkten



**ACCESSORI**  
ACCESSORI-RADIOCOMANDO 12V-24V DIMMER\_00

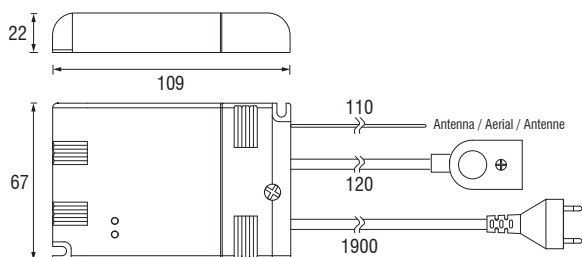
# RADIOCOMANDO ECO

IN **230V**

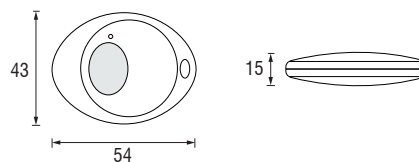
**IT** Sistema di controllo ON/OFF wireless a radio frequenza - Sistema costituito da centralina con cavo, spina e telecomando

**EN** ON/OFF wireless radiofrequency control unit - The system includes a control unit with cable and plug, a remote control

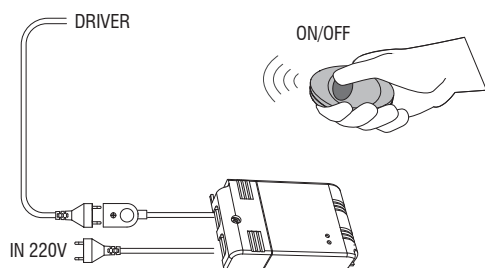
**DE** Kabellose Ein/Aus Radiofrequenz-Einheit - Das System besteht aus Relaisstation mit Kabel und Steckdose und Fernsteuerung



Ⓐ Centralina  
Control Unit / Relaisstation



Ⓑ Telecomando IR  
IR Remote control / IR Fernsteuerung



Ⓐ Centralina  
Control unit - Relaisstation



Ⓑ Radiocomando  
Radio Control / Funksteuerung

Frequenza - Frequency - Frequenz			Imballo - Packaging - Verpackung			
Trasmissione - Transmission - Sender		Ricezione - Reception - Empfangs		Pcs	Kg	mm
434Mhz ASK Quarzo SAW		434Mhz ASK		1	0,310	84 x 96 x 175
Carico applicabile Max Wattage - Wattleistung		Portata Range - Reichweite	Codice Part no. - Artikel-Nr.			
Ⓐ + Ⓑ 250W Resistivo Resistive / ohmsche Last		20 m Area libera Nominal / nominal	185056			

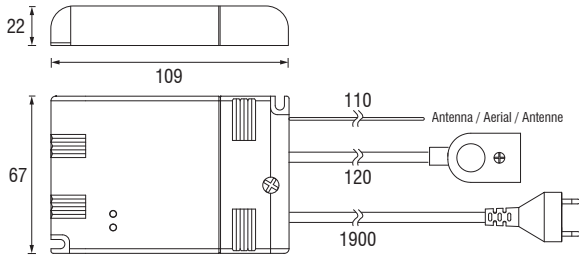
Dimensioni in millimetri (mm)  
Dimensions in Millimeters (mm) / Dimensionen in Millimetern (mm)

Conformità / Compliance / entsprechend  
I-ETS 300 220 e ETS 300 683

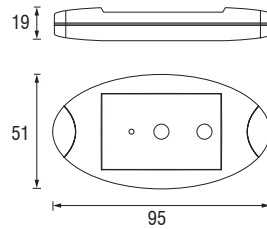
# RADIOCOMANDO

IN 230V

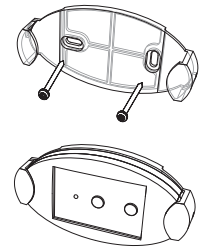
- IT **Sistema di controllo ON/OFF wireless a radio frequenza** - Sistema costituito da centralina con cavo e spina e telecomando con supporto a muro.
- EN **ON/OFF wireless radiofrequency control unit** - The system includes a control unit with cable and plug, a remote control with wall bracket.
- DE **Kabellose Ein/Aus Radiofrequenz-Einheit** - Das System besteht aus Relaisstation mit Kabel und Steckdose und Fernsteuerung mit Wandhalterung.



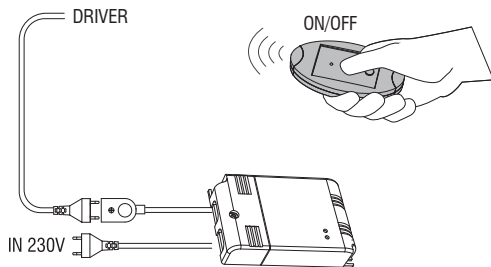
Ⓐ Centralina  
Control Unit / Relaisstation



Ⓑ Telecomando IR  
IR Remote control / IR Fernsteuerung



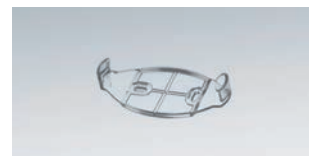
Ⓒ Supporto a muro  
Wall bracket / Wandhalterung



Ⓐ Centralina  
Control unit - Relaisstation



Ⓑ Radiocomando (telecomando)  
Remote Control / Fernsteuerung



Ⓒ Supporto a muro  
Wall bracket / Wandhalterung

Frequenza - Frequency - Frequenz			
Trasmissione - Transmission - Sender		Ricezione - Reception - Empfangs	
434Mhz ASK Quarzo SAW		434Mhz ASK	
Carico applicabile Max Wattage - Wattleistung	Portata Range - Reichweite	Codice Part no. - Artikel-Nr.	

Ⓐ + Ⓑ + Ⓒ

**250W\*** Resistivo  
Resistive / ohmsche Last

100 m Area libera  
Nominal / nominal

185050

Imballo - Packaging - Verpackung		
Pcs	Kg	mm
1	0,345	84 x 96 x 175

\* oppure n°2 Alimentatori per LED/Fluorescenza (max 70W) / or n°2 LED/Fluorescent Drivers (max 70W) / oder Nr.2 Konverter für LED/Leuchtstoffröhre (70W max)

Dimensioni in millimetri (mm)  
Dimensions in Millimeters (mm) / Dimensionen in Millimetern (mm)

Conformità / Compliance / entsprechend  
I-ETS 300 220 e ETS 300 683